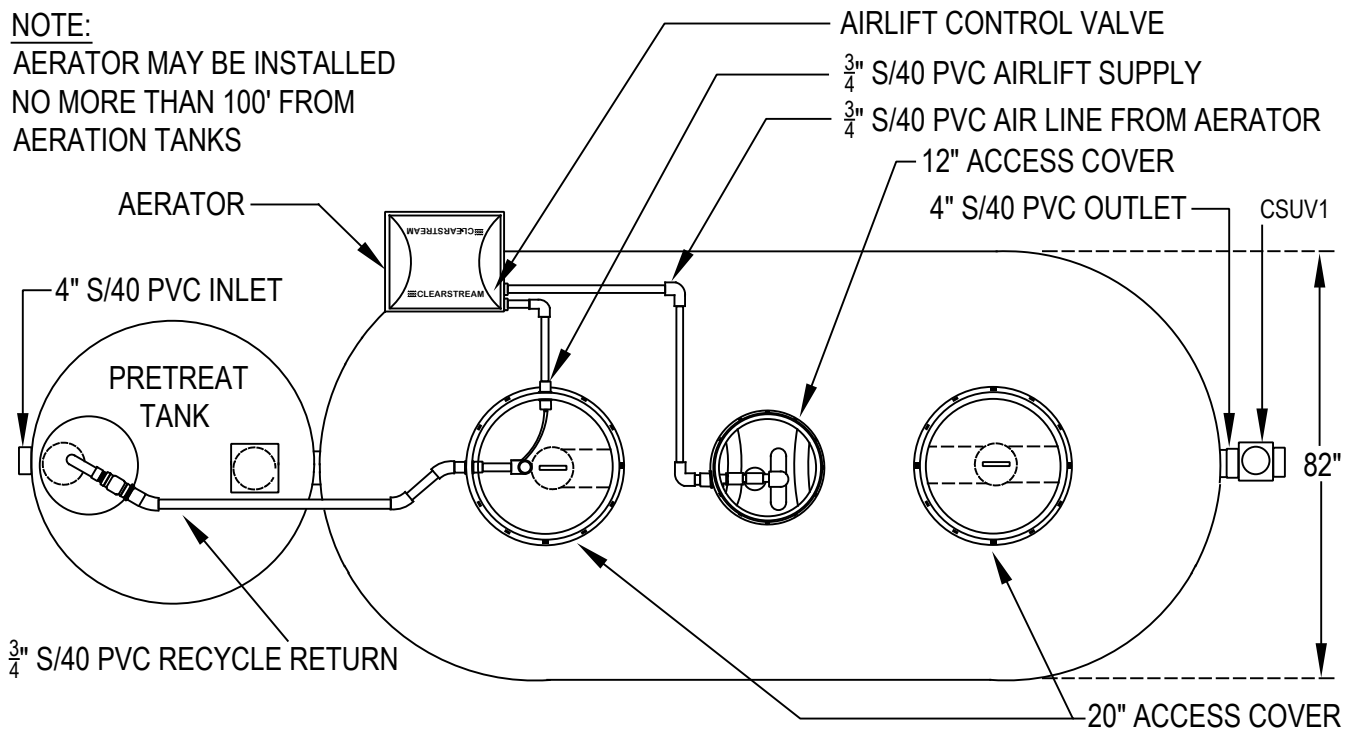
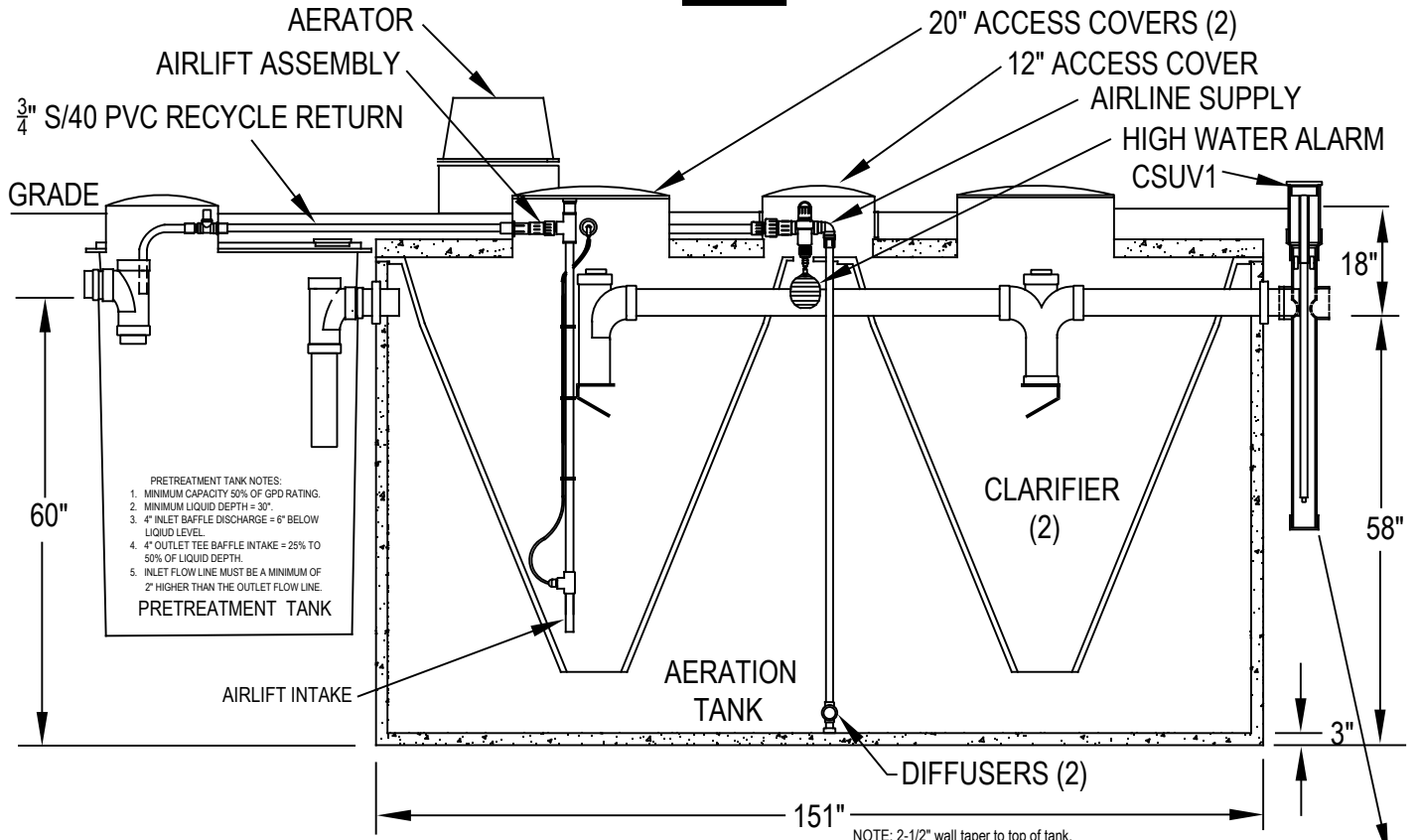


NOTE:
 AERATOR MAY BE INSTALLED
 NO MORE THAN 100' FROM
 AERATION TANKS



PLAN



SECTION

NOTE: CSUV1 is optional for Std 40 & 245. Required for Std 350 applications.

PROPRIETARY AND CONFIDENTIAL
 THIS INFORMATION CONTAINED IN THE DRAWING IS THE SOLE PROPERTY OF CLEARSTREAM. ANY REPRODUCTION IN PART OR AS A WHOLE WITHOUT THE WRITTEN PERMISSION OF CLEARSTREAM IS PROHIBITED.

DRAWN BY RC	DATE 6/17/2021
REVISED	DATE 7/23/2021
SCALE: NTS	SHEET 1 OF 1

DWG. NO.	1200DACD
DWG. NO.	1200DACD

CLEARSTREAM®
 WASTEWATER SYSTEMS, INC.
 RESIDENTIAL • COMMERCIAL • MARINE
 P.O. Box 7568 Beaumont, Texas 77726