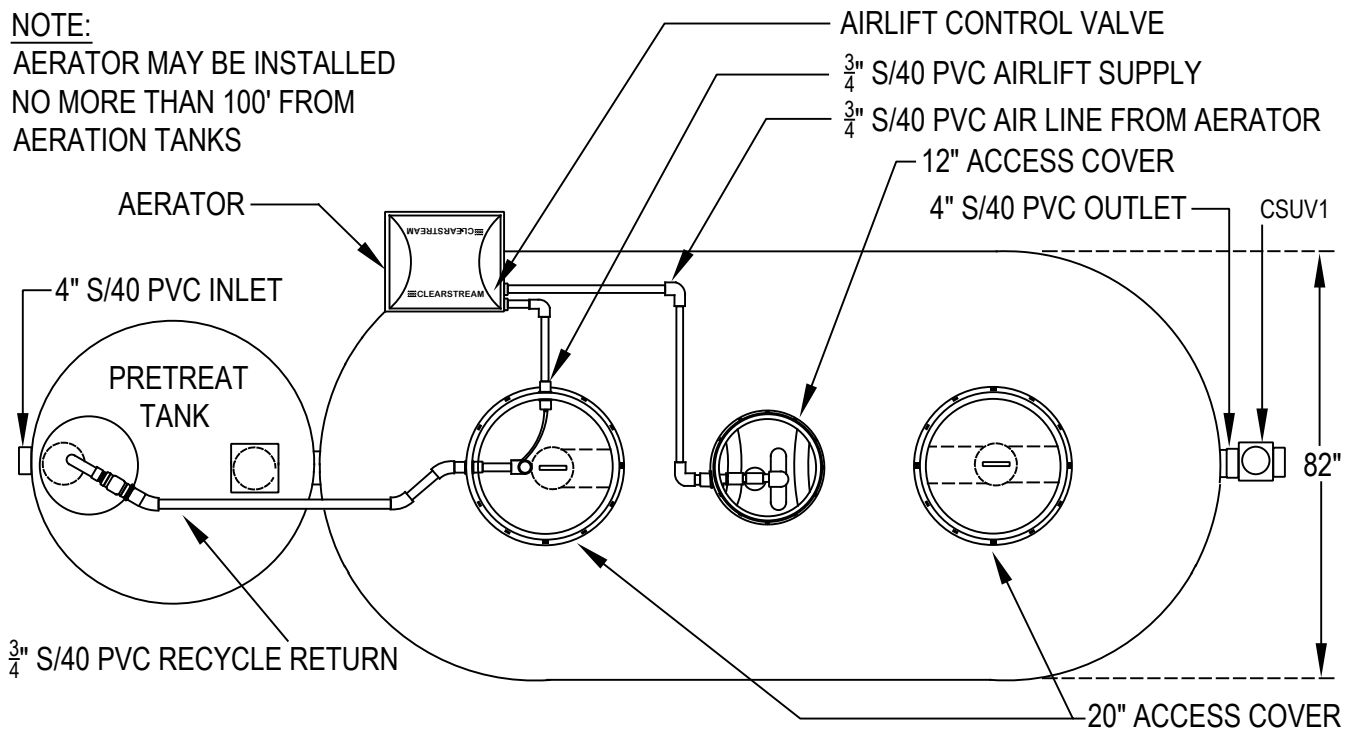
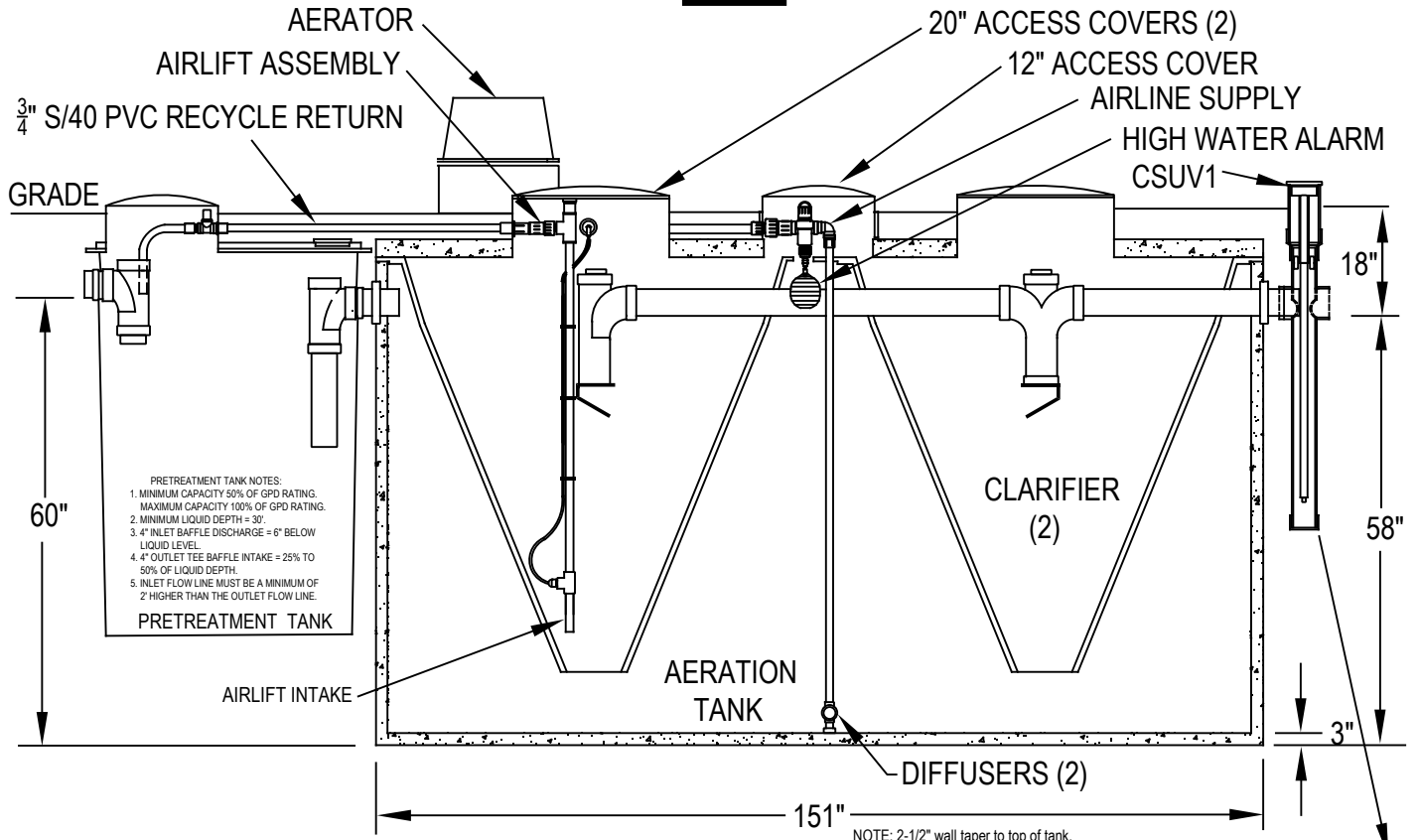


**NOTE:**

AERATOR MAY BE INSTALLED  
NO MORE THAN 100' FROM  
AERATION TANKS



**PLAN**



- PRETREATMENT TANK NOTES:
1. MINIMUM CAPACITY 50% OF GPD RATING.
  2. MAXIMUM CAPACITY 100% OF GPD RATING.
  3. MINIMUM LIQUID DEPTH = 30".
  4. INLET BAFFLE DISCHARGE = 6" BELOW LIQUID LEVEL.
  5. OUTLET TEE BAFFLE INTAKE = 25% TO 50% OF LIQUID DEPTH.
  6. INLET FLOW LINE MUST BE A MINIMUM OF 2' HIGHER THAN THE OUTLET FLOW LINE.

NOTE: 2-1/2" wall taper to top of tank.

NOTE: CSUV1 is optional for Std 40 & 245. Required for Std 350 applications.

**SECTION**

**PROPRIETARY AND CONFIDENTIAL**

THIS INFORMATION CONTAINED IN THE DRAWING IS THE SOLE PROPERTY OF CLEARSTREAM. ANY REPRODUCTION IN PART OR AS A WHOLE WITHOUT THE WRITTEN PERMISSION OF CLEARSTREAM IS PROHIBITED.

DRAWN BY	RC	DATE	6/17/2021
REVISED		DATE	7/23/2021
SCALE:	NTS	SHEET	1 OF 1

DWG. NO.	1200DACD
DWG. NO.	1200DACD

**CLEARSTREAM®**  
WASTEWATER SYSTEMS, INC.  
RESIDENTIAL • COMMERCIAL • MARINE

P.O. Box 7568 Beaumont, Texas 77726