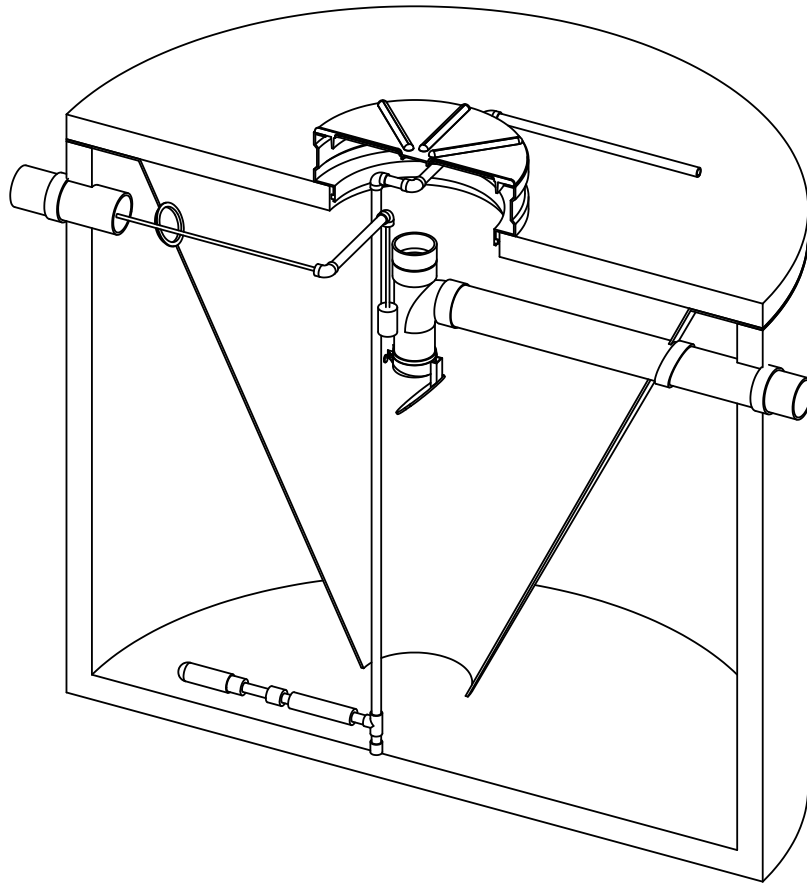


PROPRIETARY AND CONFIDENTIAL
 THE INFORMATION CONTAINED IN THIS DRAWING IS THE SOLE PROPERTY OF CLEARSTREAM. ANY REPRODUCTION IN PART OR AS A WHOLE WITHOUT THE WRITTEN PERMISSION OF CLEARSTREAM IS PROHIBITED.

| | |
|------------|----------|
| DRAWN BY | DATE |
| AB | 08/27/11 |
| CHECKED BY | DATE |
| XXX | XXX |
| SCALE: | SHEET |
| 1:30 | 1 OF 2 |

| |
|-------------------|
| 600NC |
| DWG. NO. 20000045 |

CLEARSTREAM
WASTEWATER SYSTEMS, INC.
 RESIDENTIAL • COMMERCIAL • MARINE
 P.O. Box 7568 Beaumont, Texas 77726-7568



PROPRIETARY AND CONFIDENTIAL
 THE INFORMATION CONTAINED IN THIS DRAWING IS THE SOLE PROPERTY OF CLEARSTREAM. ANY REPRODUCTION IN PART OR AS A WHOLE WITHOUT THE WRITTEN PERMISSION OF CLEARSTREAM IS PROHIBITED.

| | |
|--------------------------|-------------------------|
| DRAWN BY AB | DATE 08/27/11 |
| CHECKED BY XXX | DATE XXX |
| SCALE: 1:20 | SHEET 2 OF 2 |

| |
|--------------------------|
| 600NC |
| DWG. NO. 20000045 |

CLEARSTREAM®
WASTEWATER SYSTEMS, INC.
 RESIDENTIAL • COMMERCIAL • MARINE

P.O. Box 7568 Beaumont, Texas 77726-7568