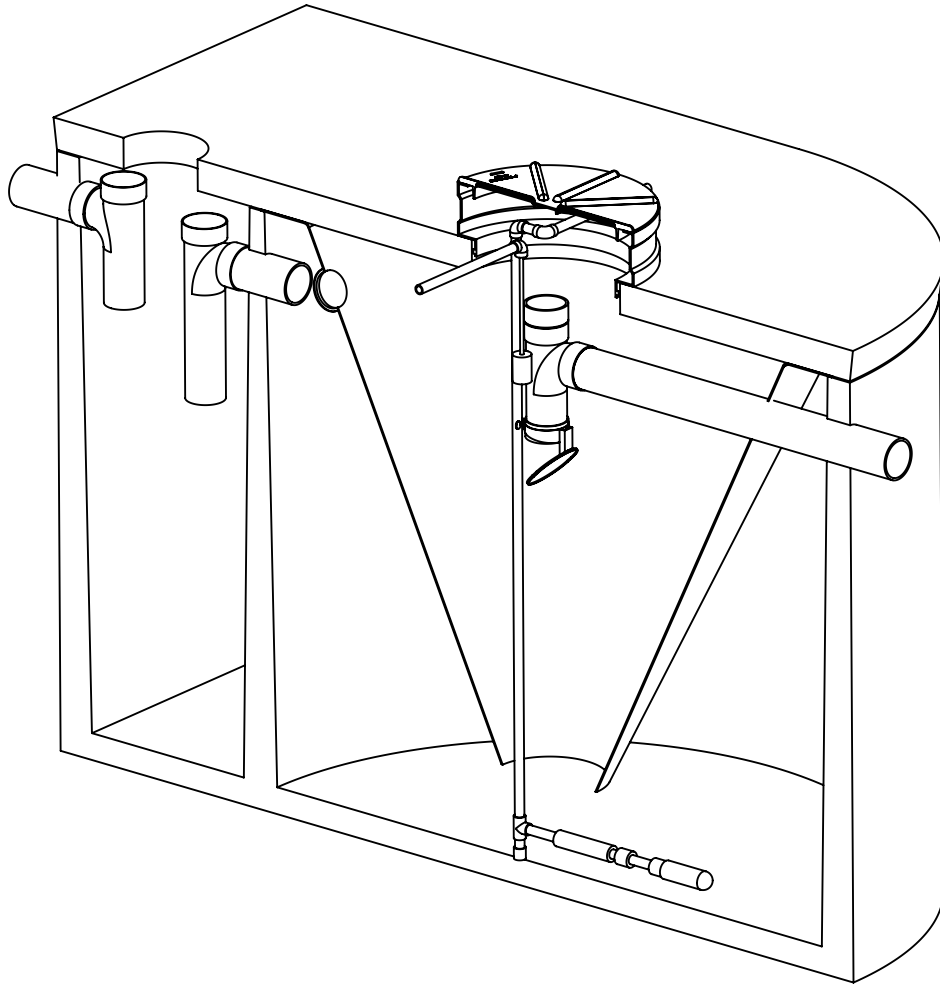


**PROPRIETARY AND CONFIDENTIAL**  
 THE INFORMATION CONTAINED IN THIS DRAWING IS THE SOLE PROPERTY OF CLEARSTREAM. ANY REPRODUCTION IN PART OR AS A WHOLE WITHOUT THE WRITTEN PERMISSION OF CLEARSTREAM IS PROHIBITED.

DRAWN BY AB	DATE 04/03/12
CHECKED BY XXX	DATE XXX
SCALE: 1:25	SHEET 1 OF 2

DWG. NO. 20000073  
**600NC2**

**CLEARSTREAM®**  
**WASTEWATER SYSTEMS, INC.**  
 RESIDENTIAL • COMMERCIAL • MARINE  
 P.O. Box 7568 Beaumont, Texas 77726-7568



**PROPRIETARY AND CONFIDENTIAL**  
 THE INFORMATION CONTAINED IN THIS DRAWING IS THE SOLE PROPERTY OF CLEARSTREAM. ANY REPRODUCTION IN PART OR AS A WHOLE WITHOUT THE WRITTEN PERMISSION OF CLEARSTREAM IS PROHIBITED.

DRAWN BY AB	DATE 04/03/12
CHECKED BY XXX	DATE XXX
SCALE: 1:20	SHEET 2 OF 2

	<b>600NC2</b>
DWG. NO.	20000073



P.O. Box 7568 Beaumont, Texas 77726-7568