
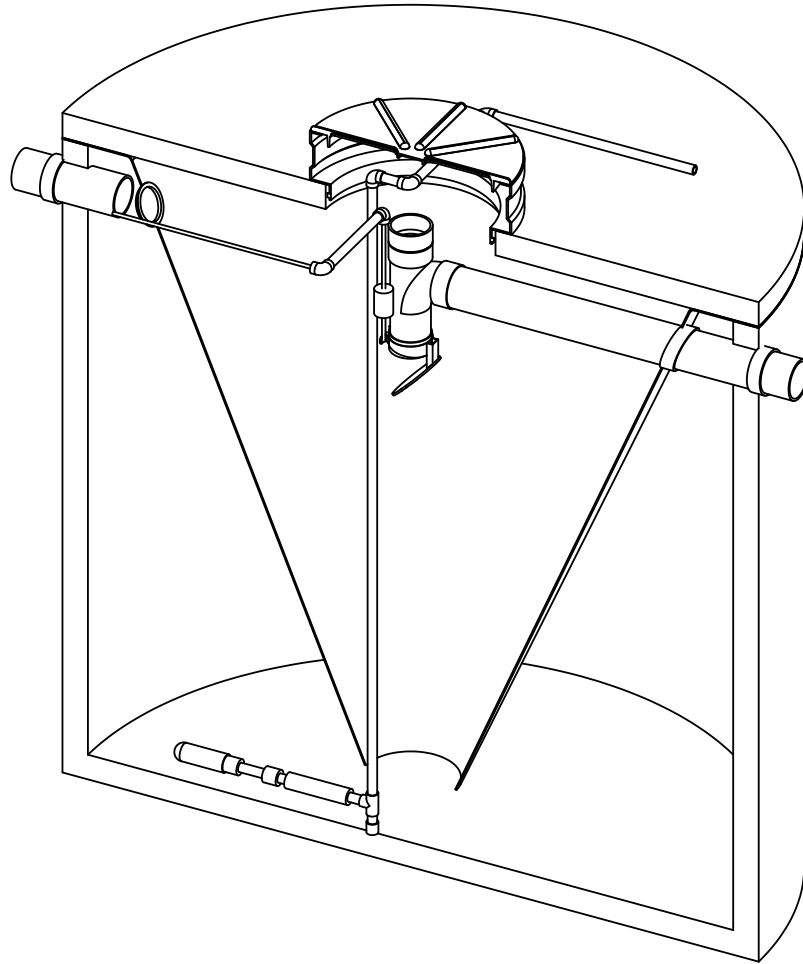


PROPRIETARY AND CONFIDENTIAL THE INFORMATION CONTAINED IN THIS DRAWING IS THE SOLE PROPERTY OF CLEARSTREAM. ANY REPRODUCTION IN PART OR AS A WHOLE WITHOUT THE WRITTEN PERMISSION OF CLEARSTREAM IS PROHIBITED.	DRAWN BY	DATE	800NC	
	CHECKED BY	DATE		
	SCALE:	SHEET	DWG. NO.	
	1:30	1 OF 2	20000161	
			P.O. Box 7568 Beaumont, Texas 77726-7568	



PROPRIETARY AND CONFIDENTIAL
 THE INFORMATION CONTAINED IN THIS DRAWING IS THE SOLE PROPERTY OF CLEARSTREAM. ANY REPRODUCTION IN PART OR AS A WHOLE WITHOUT THE WRITTEN PERMISSION OF CLEARSTREAM IS PROHIBITED.

DRAWN BY AB	DATE 09/03/11
CHECKED BY XXX	DATE XXX
SCALE: 1:20	SHEET 2 OF 2

800NC
DWG. NO. 20000161

CLEARSTREAM[®]
WASTEWATER SYSTEMS, INC.
 RESIDENTIAL • COMMERCIAL • MARINE
 P.O. Box 7568 Beaumont, Texas 77726-7568