
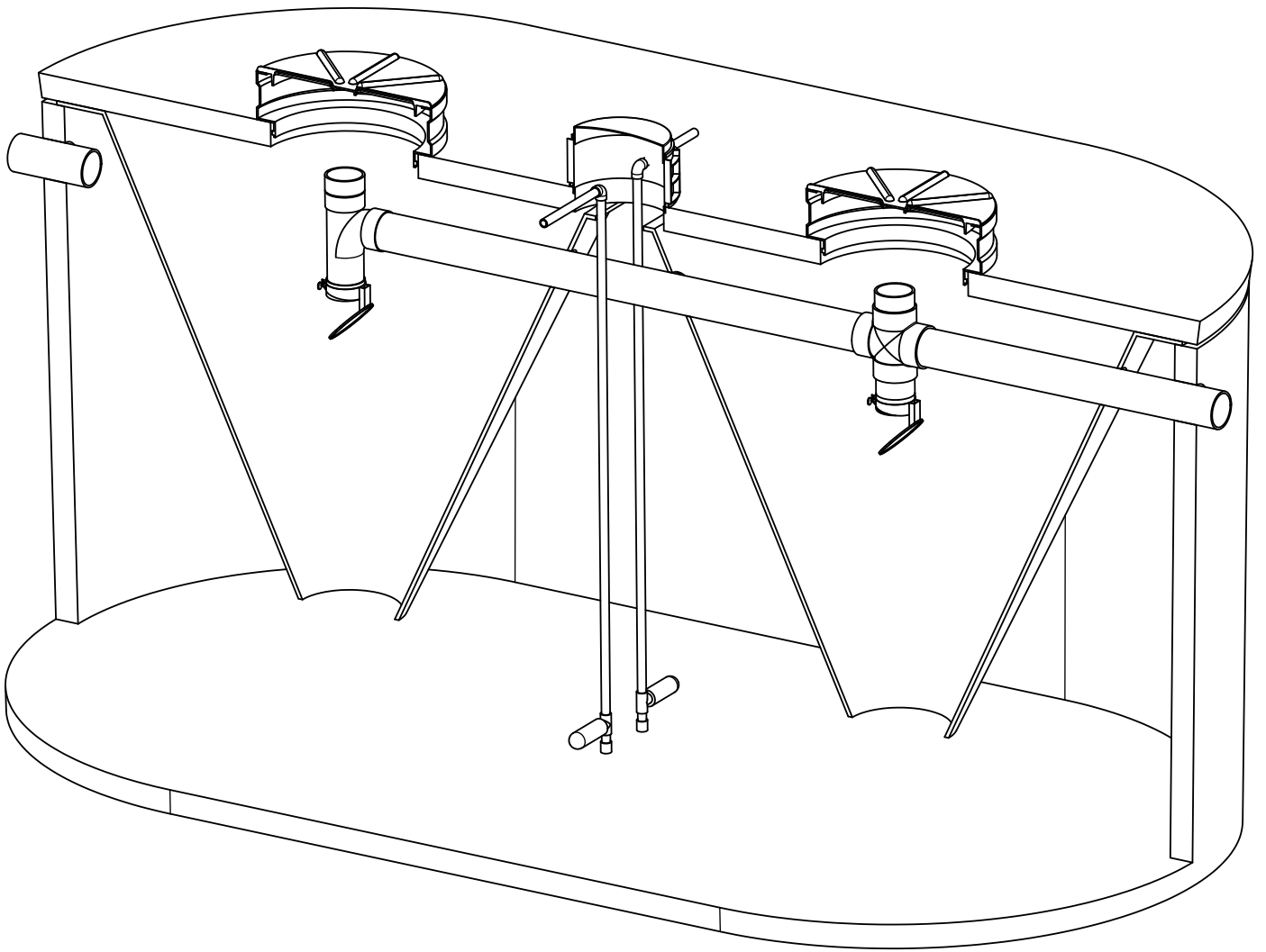


|   |                          |                         |                             |   |  |
|---|--------------------------|-------------------------|-----------------------------|---|--|
| <b>PROPRIETARY AND CONFIDENTIAL</b><br>THE INFORMATION CONTAINED IN THIS DRAWING IS THE SOLE PROPERTY OF CLEARSTREAM. ANY REPRODUCTION IN PART OR AS A WHOLE WITHOUT THE WRITTEN PERMISSION OF CLEARSTREAM IS PROHIBITED. | DRAWN BY<br><b>AB</b>    | DATE<br><b>08/04/11</b> | <b>1200NCD</b>              |  |  |
|   | CHECKED BY<br><b>XXX</b> | DATE<br><b>XXX</b>      |                             |   |  |
|   | SCALE:<br><b>1:30</b>    | SHEET<br><b>1 OF 2</b>  | DWG. NO.<br><b>20000282</b> |   | P.O. Box 7568 Beaumont, Texas 77726-7568 |
|   |                          |                         |                             |   |  |



**PROPRIETARY AND CONFIDENTIAL**  
 THE INFORMATION CONTAINED IN THIS DRAWING IS THE SOLE PROPERTY OF CLEARSTREAM. ANY REPRODUCTION IN PART OR AS A WHOLE WITHOUT THE WRITTEN PERMISSION OF CLEARSTREAM IS PROHIBITED.

|                   |                  |
|-------------------|------------------|
| DRAWN BY<br>AB    | DATE<br>08/04/11 |
| CHECKED BY<br>XXX | DATE<br>XXX      |
| SCALE:<br>1:20    | SHEET<br>2 OF 2  |

|                      |
|----------------------|
| <b>1200NCD</b>       |
| DWG. NO.<br>20000282 |

**CLEARSTREAM<sup>®</sup>**  
**WASTEWATER SYSTEMS, INC.**  
 RESIDENTIAL • COMMERCIAL • MARINE

P.O. Box 7568 Beaumont, Texas 77726-7568