

PROPRIETARY AND CONFIDENTIAL
 THE INFORMATION CONTAINED IN THIS DRAWING IS THE SOLE PROPERTY OF CLEARSTREAM. ANY REPRODUCTION IN PART OR AS A WHOLE WITHOUT THE WRITTEN PERMISSION OF CLEARSTREAM IS PROHIBITED.

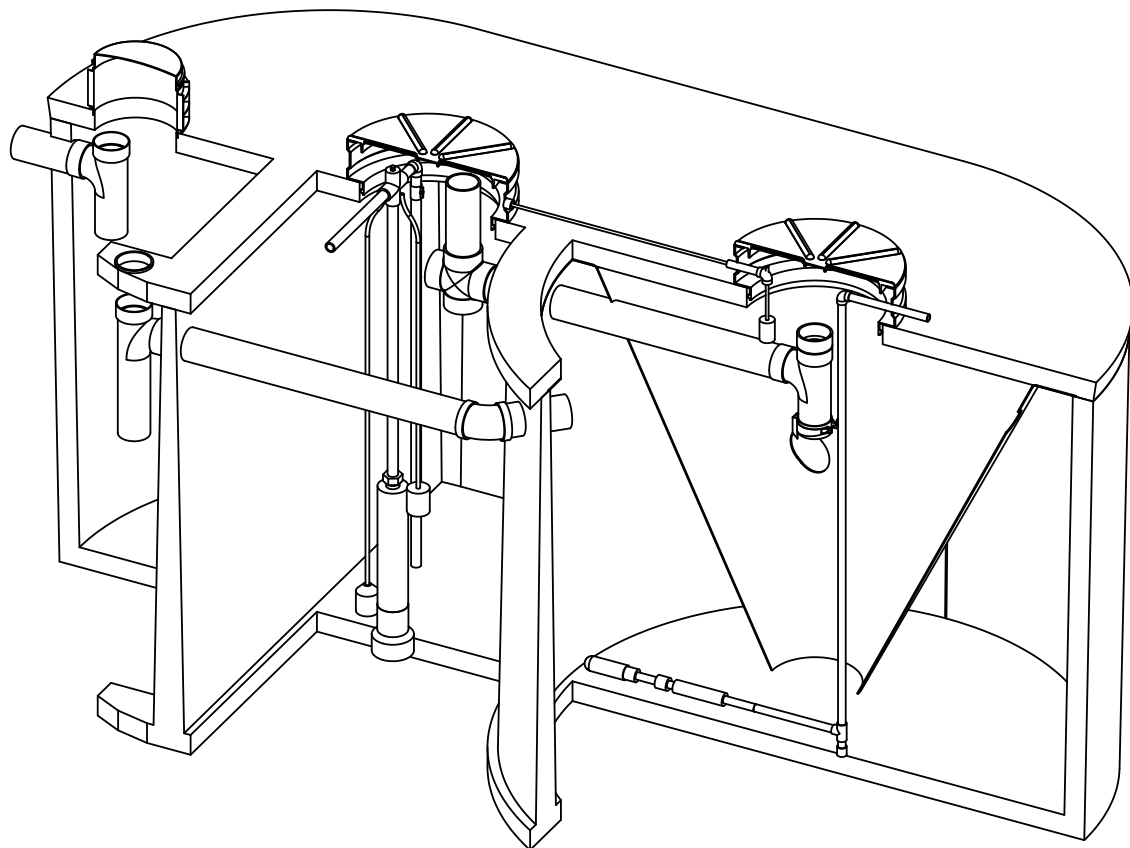
DRAWN BY AB	DATE 03/10/11
CHECKED BY XXX	DATE XXX
SCALE: 1:30	SHEET 1 OF 1

600NC3

DWG. NO. **20000307**

CLEARSTREAM®
WASTEWATER SYSTEMS, INC.
 RESIDENTIAL • COMMERCIAL • MARINE

P.O. Box 7568 Beaumont, Texas 77726-7568



PROPRIETARY AND CONFIDENTIAL
 THE INFORMATION CONTAINED IN THIS DRAWING IS THE SOLE PROPERTY OF CLEARSTREAM. ANY REPRODUCTION IN PART OR AS A WHOLE WITHOUT THE WRITTEN PERMISSION OF CLEARSTREAM IS PROHIBITED.

DRAWN BY AB	DATE 03/10/11
CHECKED BY XXX	DATE XXX
SCALE: 1:25	SHEET 1 OF 1

600NC3
DWG. NO. 20000307

CLEARSTREAM[®]
WASTEWATER SYSTEMS, INC.
 RESIDENTIAL • COMMERCIAL • MARINE

P.O. Box 7568 Beaumont, Texas 77726-7568