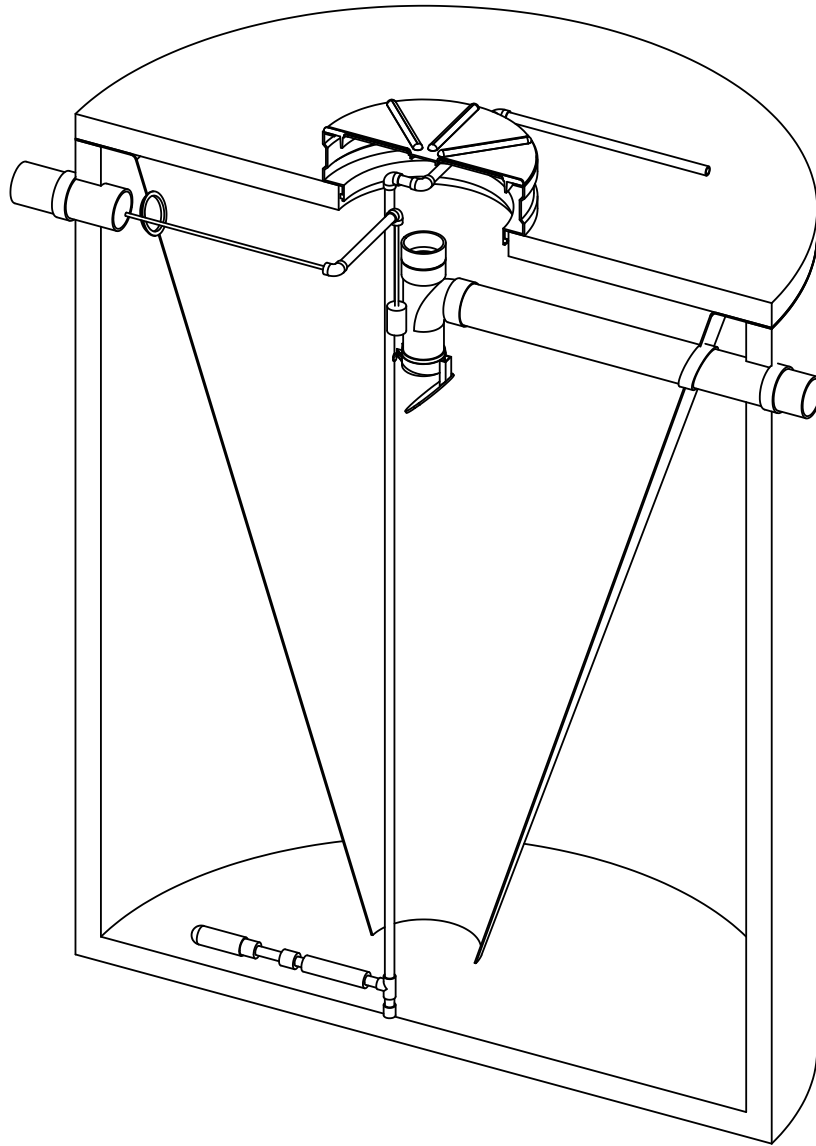


PROPRIETARY AND CONFIDENTIAL
 THE INFORMATION CONTAINED IN THIS DRAWING IS THE SOLE PROPERTY OF CLEARSTREAM. ANY REPRODUCTION IN PART OR AS A WHOLE WITHOUT THE WRITTEN PERMISSION OF CLEARSTREAM IS PROHIBITED.

DRAWN BY	DATE
AB	09/03/11
CHECKED BY	DATE
XXX	XXX
SCALE:	SHEET
1:30	1 OF 2

1000NC
DWG. NO. 20000403

CLEARSTREAM
WASTEWATER SYSTEMS, INC.
 RESIDENTIAL • COMMERCIAL • MARINE
 P.O. Box 7568 Beaumont, Texas 77726-7568



PROPRIETARY AND CONFIDENTIAL
 THE INFORMATION CONTAINED IN THIS DRAWING IS THE SOLE PROPERTY OF CLEARSTREAM. ANY REPRODUCTION IN PART OR AS A WHOLE WITHOUT THE WRITTEN PERMISSION OF CLEARSTREAM IS PROHIBITED.

DRAWN BY AB	DATE 09/03/11
CHECKED BY XXX	DATE XXX
SCALE: 1:20	SHEET 2 OF 2

1000NC
DWG. NO. 20000403

CLEARSTREAM®
WASTEWATER SYSTEMS, INC.
 RESIDENTIAL • COMMERCIAL • MARINE

P.O. Box 7568 Beaumont, Texas 77726-7568