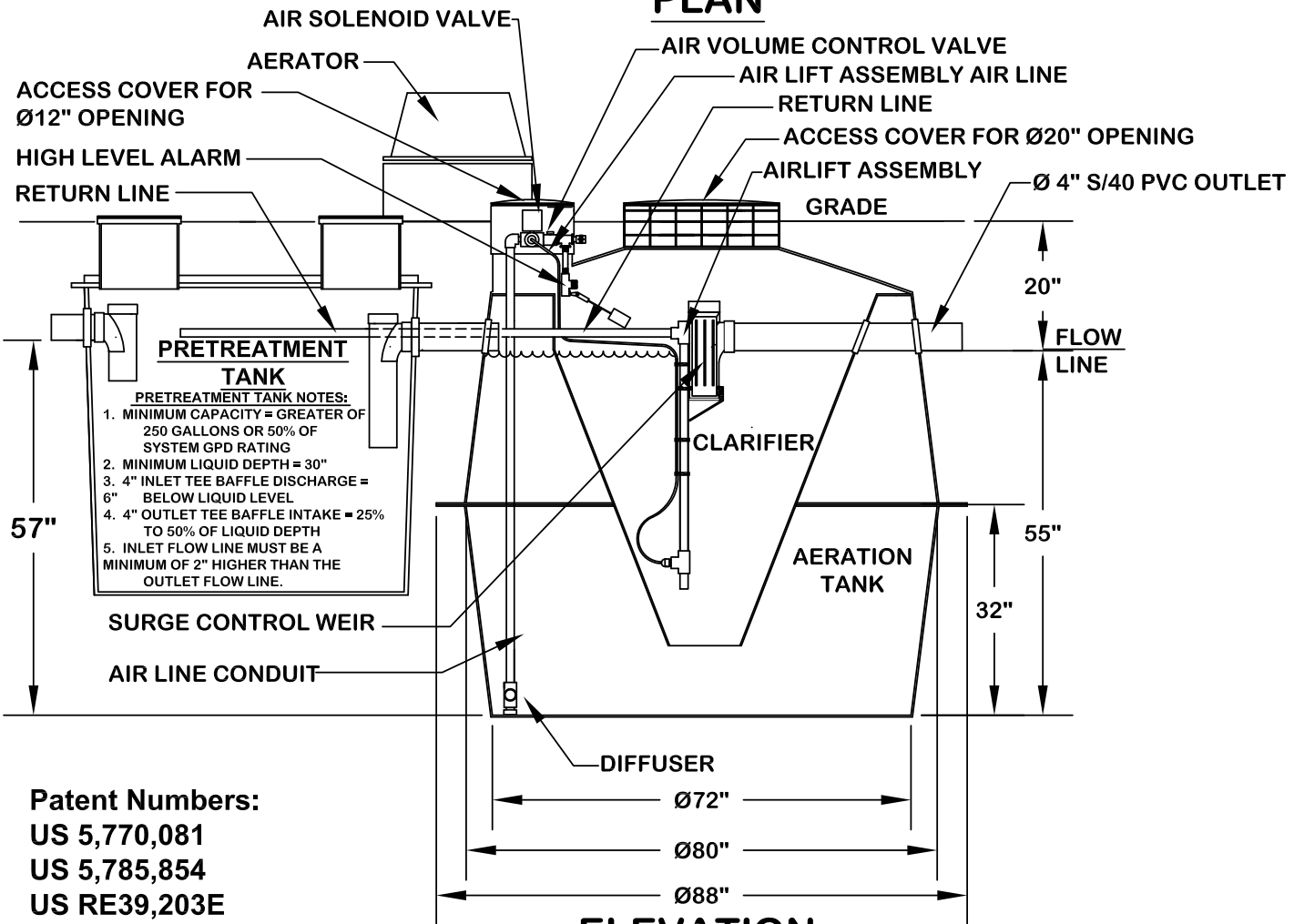


**PLAN**



**ELEVATION**

- PRETREATMENT TANK NOTES:**
1. MINIMUM CAPACITY = GREATER OF 250 GALLONS OR 50% OF SYSTEM GPD RATING
  2. MINIMUM LIQUID DEPTH = 30"
  3. 4" INLET TEE BAFFLE DISCHARGE = 6" BELOW LIQUID LEVEL
  4. 4" OUTLET TEE BAFFLE INTAKE = 25% TO 50% OF LIQUID DEPTH
  5. INLET FLOW LINE MUST BE A MINIMUM OF 2" HIGHER THAN THE OUTLET FLOW LINE.

**Patent Numbers:**  
 US 5,770,081  
 US 5,785,854  
 US RE39,203E  
 US 7,513,944B2

PROPRIETARY AND CONFIDENTIAL  
 THIS INFORMATION CONTAINED IN THE DRAWING IS THE SOLE PROPERTY OF CLEARSTREAM. ANY REPRODUCTION IN PART OR AS A WHOLE WITHOUT THE WRITTEN PERMISSION OF CLEARSTREAM IS PROHIBITED.

DRAWN BY CWP	DATE 02/09/2016
CHECKED BY JLM	DATE 02/16/2016
SCALE: NTS	SHEET 1 OF 1

**600DAT**  
 DWG. NO. **600DAT**

**P.O. Box 7568** **Beaumont, Texas 77726**