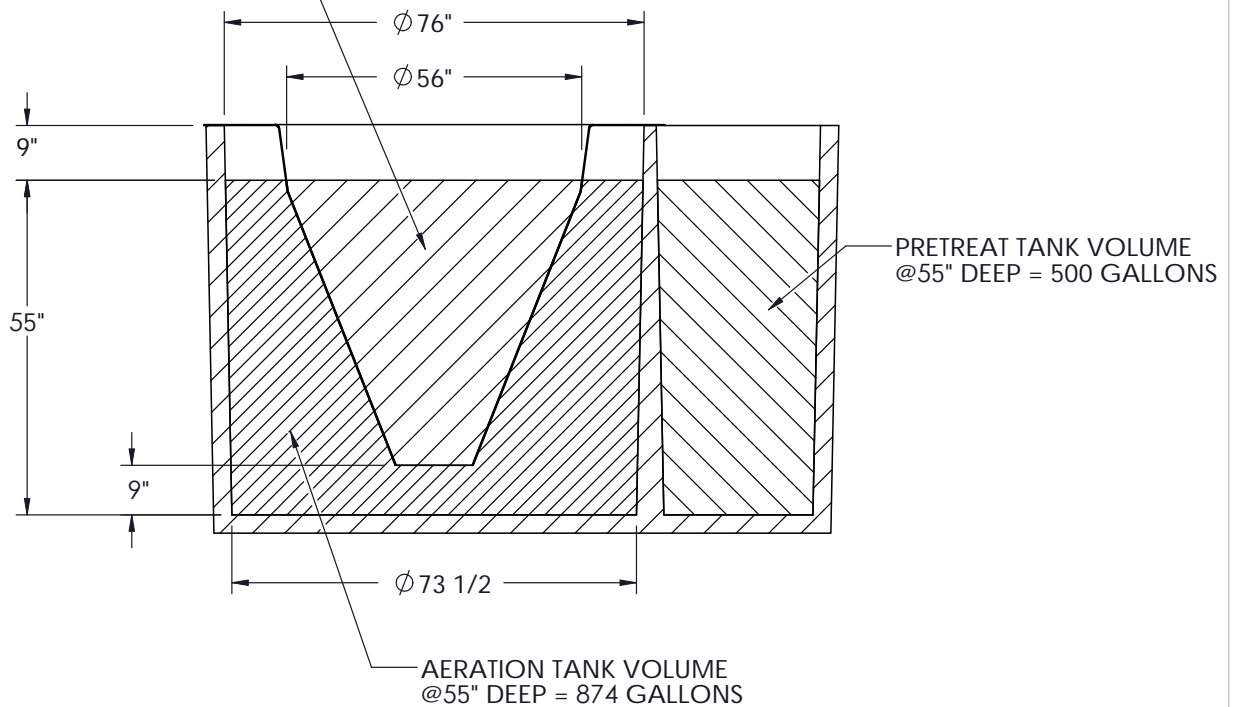


CONE VOLUME @55" DEEP = 206 GALLONS



SECTION A-A

**PROPRIETARY AND CONFIDENTIAL**  
 THE INFORMATION CONTAINED IN THIS DRAWING IS THE SOLE PROPERTY OF CLEARSTREAM. ANY REPRODUCTION IN PART OR AS A WHOLE WITHOUT THE WRITTEN PERMISSION OF CLEARSTREAM IS PROHIBITED.

DRAWN BY AB	DATE 11/19/08
CHECKED BY XXX	DATE XXX
SCALE: 1:30	SHEET 1 OF 1

DWG. NO.

**600DAC2 VOLUMES**

**600DAC2 VOLUMES**



P.O. Box 7568 Beaumont, Texas 77726-7568