

CUT LINE

**ALARM LIGHT STATUS:**

- Red on Solid = Pump tank alarm
- Red on Flashing = Pump Fail to Run
- Amber on Solid = Aeration tank alarm
- Amber on Flashing = Disinfection alarm
- Red & Amber Flashing = 230VAC WIRING ERROR

**READ THIS INFORMATION:**

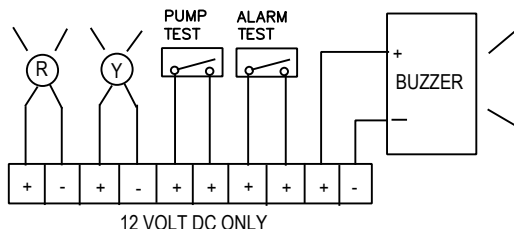
**CONTROL MODULE BUTTONS:**

- ↑ Scroll UP
- ↓ Scroll DOWN
- ENTER

FOLLOW SCREEN INSTRUCTIONS:

Press ENTER one time to wake up screen display.  
If no button action, display returns to operate in 4 minutes.

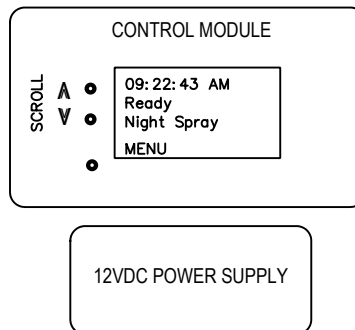
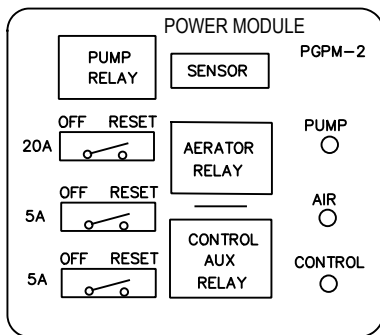
RMSYS TELEMETRY  
12VDC RMS812



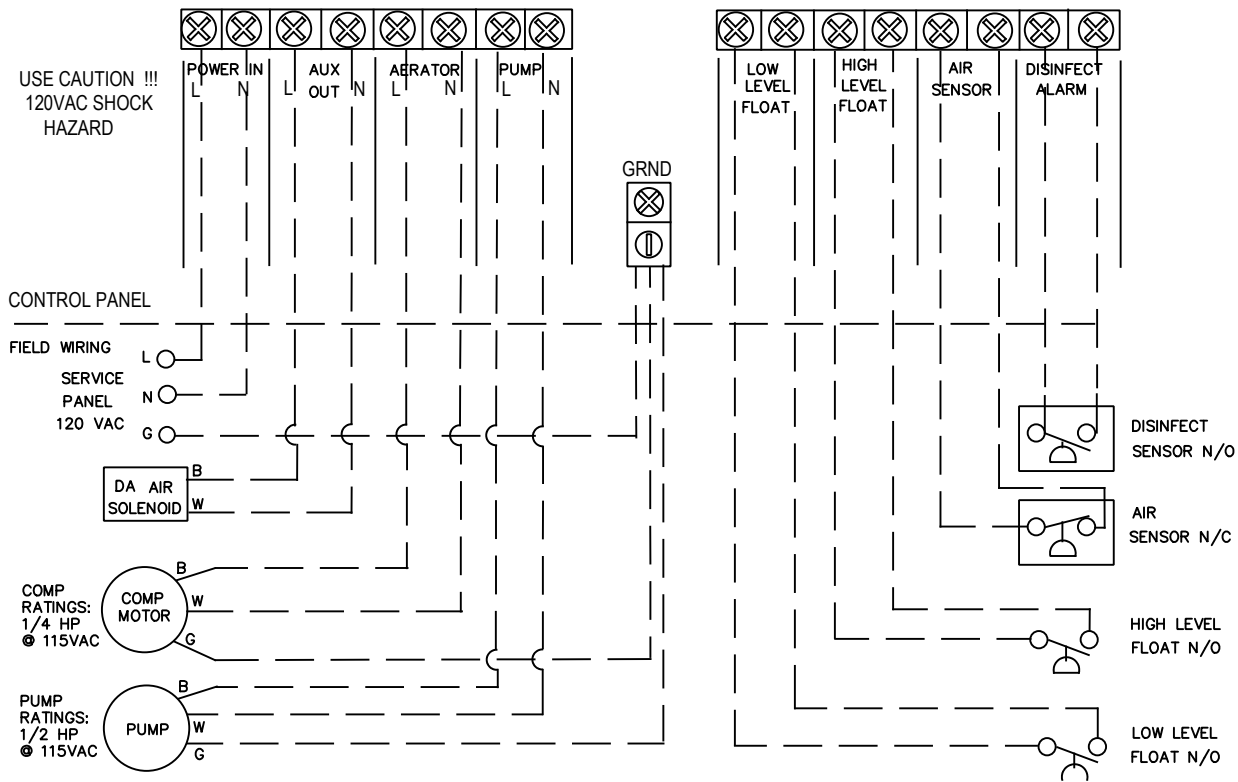
**CLEARSTREAM®**  
WASTEWATER SYSTEMS, INC.  
P.O. Box 6327 • Richmond, Texas 77709

PANEL PART#: \_\_\_\_\_  
VOLTS: 115VAC HZ: 60  
DATE OF MFG: \_\_\_\_\_

- NOTES:
1. TO PRESERVE ENVIRONMENTAL RATING OF PANEL, USE FITTINGS AND HUBS WITH SAME ENVIRONMENTAL RATING AS ENCLOSURE.
  2. PUMP MOTORS MUST HAVE INTERNAL OVERLOAD PROTECTION.
  3. MAIN PANEL DISCONNECT MUST BE PROVIDED BY INSTALLER.
  4. DASHED LINES INDICATE ITEMS NOT CONTAINED IN THE PANEL.
  5. FIELD WIRING MUST BE A MINIMUM OF 60 C COPPER WIRE.



USE CAUTION !!!  
120VAC SHOCK  
HAZARD



CUT LINE

CUT LINE

CUT LINE